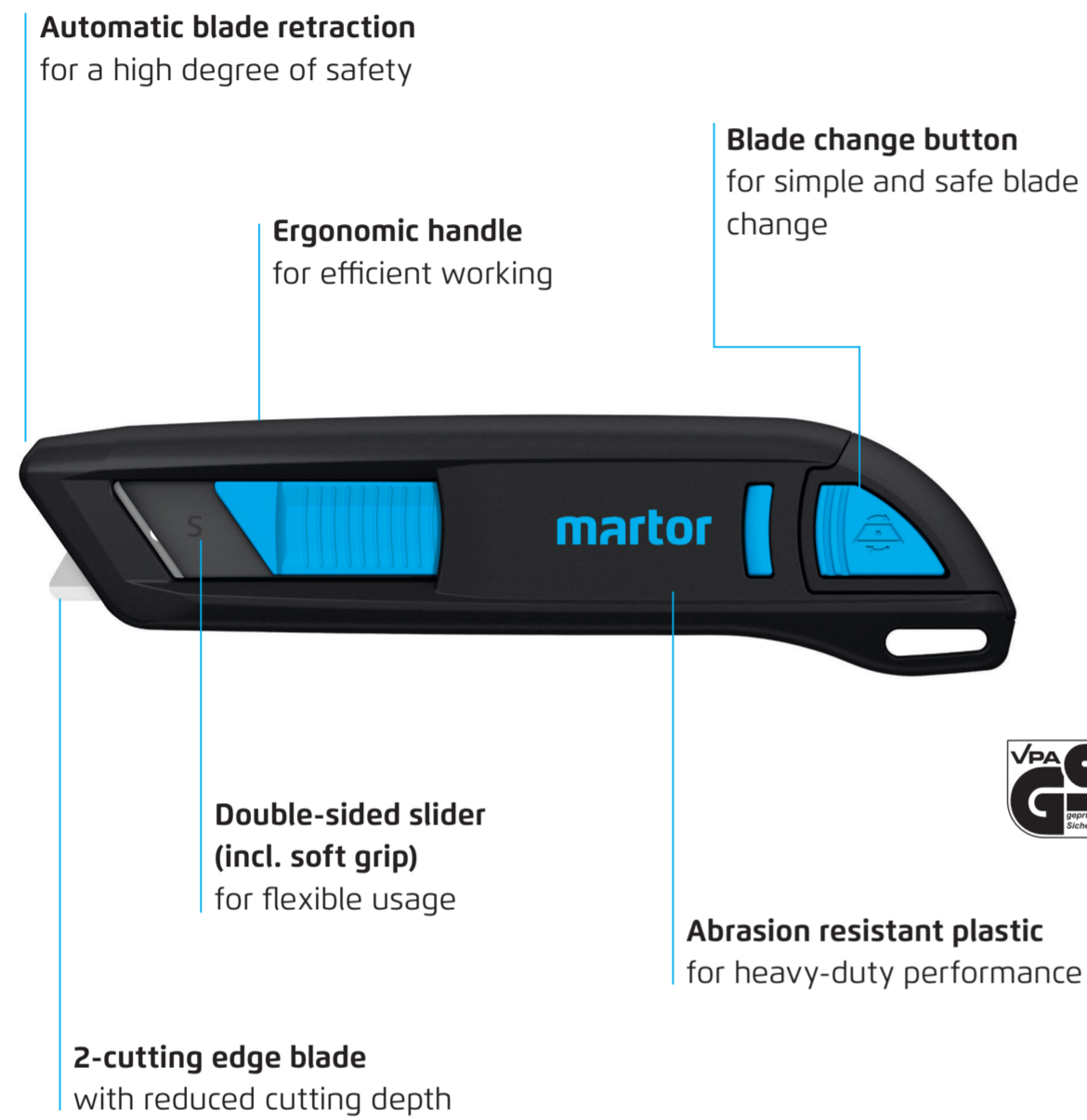


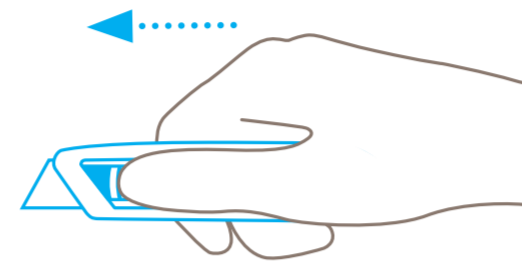
SAFETY POSTER INSTRUCTIONS FOR THE SAFE HANDLING OF YOUR CUTTING TOOL

martor

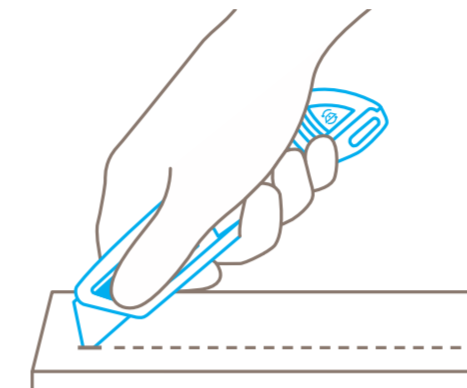
SECUNORM 300



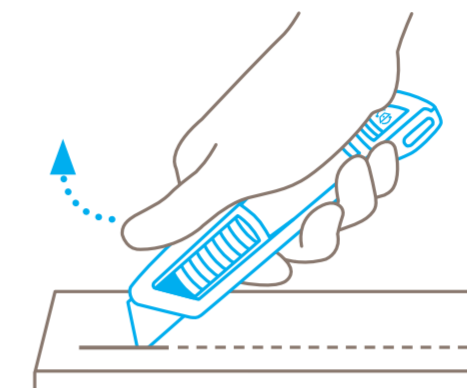
USAGE



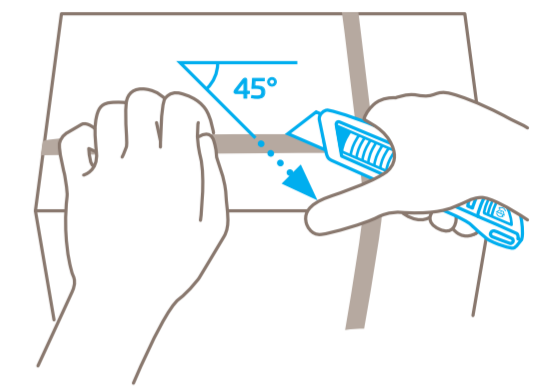
Use the slider to **engage the blade** for cutting.



Pierce into the cutting material to cut.

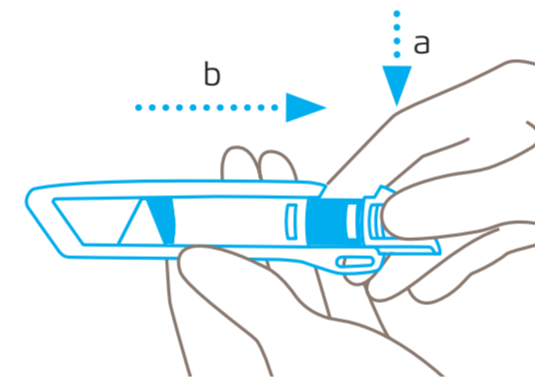


Always remove your **thumb from the slider** to ensure automatic blade retraction.

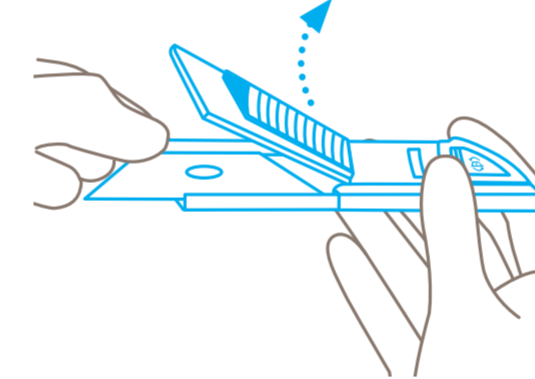


For best results, cut plastic strapping band **diagonally** (at a 45° angle).

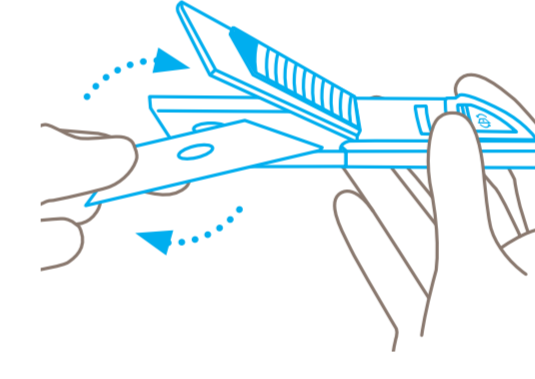
BLADE CHANGE



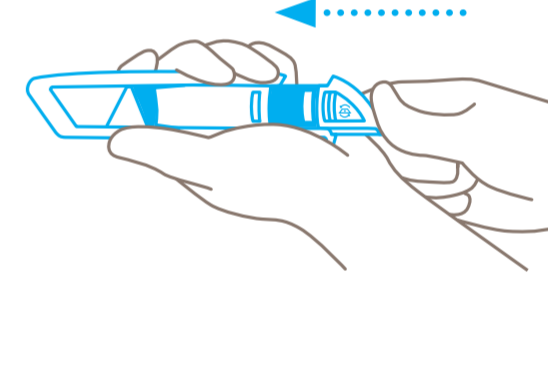
Press the blade change button and remove the plastic insert from the rear of the handle.



Hold the **blunt** side of the blade and use it to lift the blade cover upwards. The cover remains in the open position.

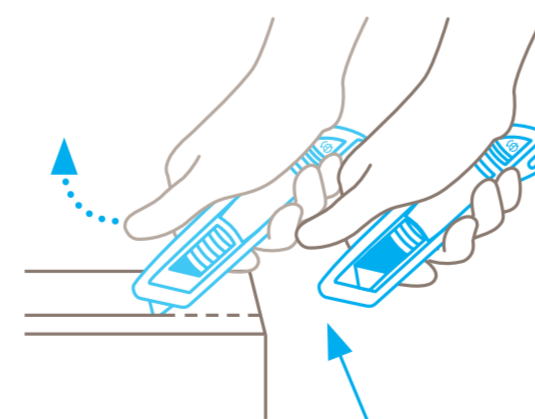


Reverse or replace the blade. Make sure you place the blade **exactly** on the locating lobe.



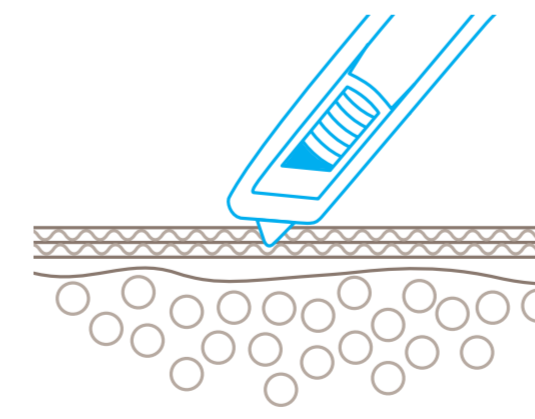
Close the blade cover and push the plastic insert back into the handle until the blade change button **audibly** clicks.

PROTECTION OF USER



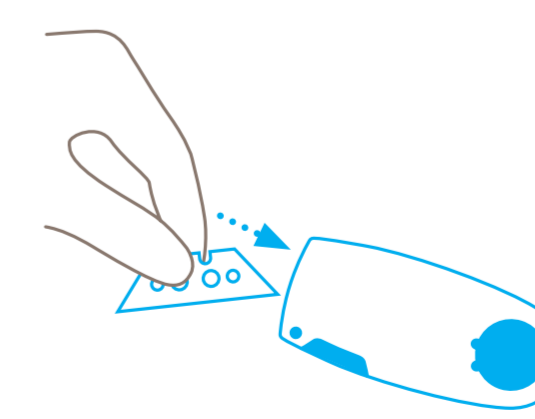
Following cutting, the blade immediately retracts into the handle. Condition: you have **released hold of the slider**.

PROTECTION OF GOODS

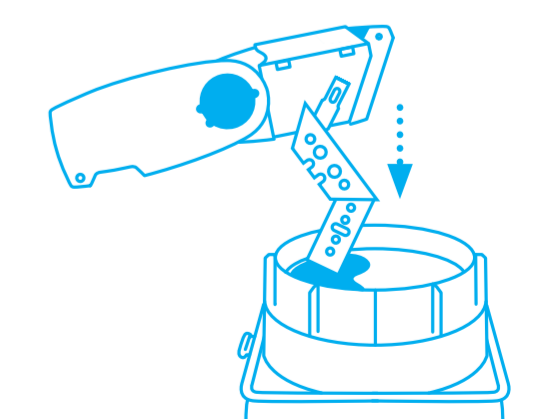


An appropriately **small cutting depth** serves to protect your goods.

DISPOSAL



Your **SAFEBOX** is the best place to store **used blades**.



When the **SAFEBOX** is full, **empty all contents** into your **USED BLADE CONTAINER**.

Please note: To ensure your product always functions flawlessly, regularly remove any impurities. For additional safety, we recommend wearing gloves.